

Product Description

Canister Pendant Large is a large cylinder LED pendant designed for general light. It is the perfect pendant for creating even light throughout your space without distracting from your design.

Order Information

Example: CL-610-27-9-BK-AF-DIM

Model CL	Optic	Color Temperature	Lumen
Cylinder Pendant	610 - 10°	27 - 2700K	9 - 9W
	618 - 18°	30 - 3000K	12 - 12W
	630 - 30°	35 - 3500K	20 - 20W
	645 - 45°	40 - 4000K	32 - 32W
	660 - 60°		
Body Color		Suspension	Driver
BK - Black WH - White	AF - Aircraft + Feed Cable SS - Solid Stem (6' MAX)	DIM - Phase*3 LCS - 0 - 10 Volt Protocol EMG - Emergency Driver*5/6	

Project Name :
Location :
Quantity :
Date :
Note :



Features

Light Engine:

"T" Series COB LED is available in 2500K, 2700K, 3000K and 3500K. They mimic the full spectrum light characteristics of incandescent lamps having CRI>95.

"C" Series COB LED is available in 3000K and 4000K. They emit colour boosting light that makes white appear whiter and colours more brilliant.

Optics:

Total Internal Reflection (TIR) lenses provides highly precise beam shapes. They have minimal glare and spill, reducing the occurrence of scallops when aiming on vertical surfaces.

Specification

CCT: 2500K/2700K/3000K/3500K/4000K

CRI: >90 / >95

Cable Length: 72 inches(6 foot)

Dimming: ELV/Triac/0-10V Dimming

Total lumen output max: 1300 lm @12W

Delivered lumen max: 790 lm @ 12W

Cut out diameter: 3 inch

Power consumption: 9W / 12W

Power factor: >0.9

Power Driver Type: Constant Current

Input voltage: 120V, 60Hz

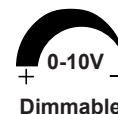
Approved locations: IP20, Dry

Lumen maintenance: 70% @ 60,000 Hrs

THD <20%

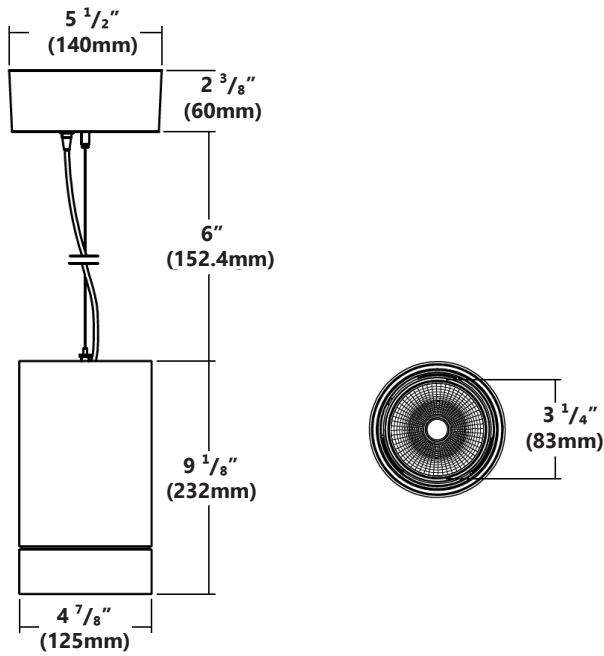
Certification: cETLus

Warranty: 5 years limited warranty

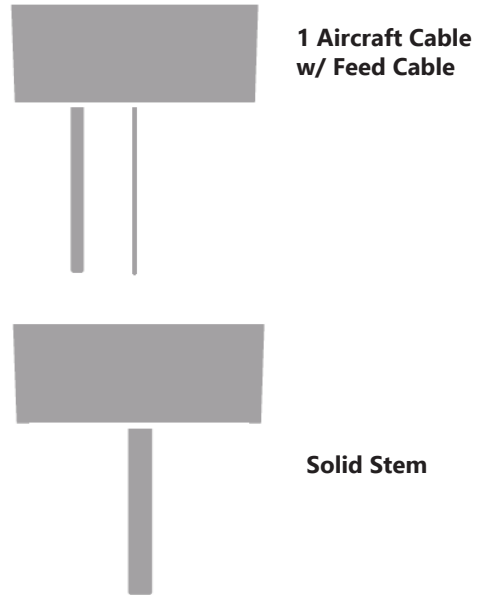


Canister Pendant Large 5" Pendent LED Downlight

Dimensions Diagonal Cut



Suspension



Light Distribution: Reflector

