

14 Inch / 24 Watt / Dim To Warm Flush Mount Ceiling Light



(FR-14-24-DW)

Builder's Choice

Features

- Integrated LED light source
- Dim-to-warm 4000K to 2500K
- Acrylic diffuser
- Brushed nickel finish accent
- Quick connect push-in terminals
- Dimmable when used with a ELV or a Triac dimmers

Color Performance

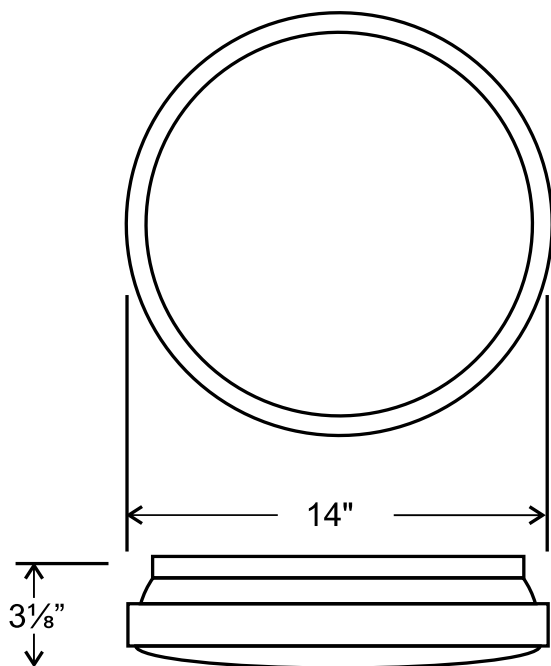


CRI 90+



Dim To Warm

Dimensions



Specifications

Wattage: 30W

Voltage: 120 VAC

Lumen Output: 2700 lm

Colour Temperature: Dim to warm
4000k to 2500K

CRI: >90

IP Rating: IP24 Dry Locations

Beam Angle: 120°

Rated Life Span: 50,000 hrs

Operation Temp.: -20°C to 50°C

Dimming Types: Triac/ELV Dimmers

IC Rated: Yes

Air Tight: Yes

Safety Listing: cETLus

Warranty: 5 year Limited

