

4CCT+ Dim Warming Five Modes

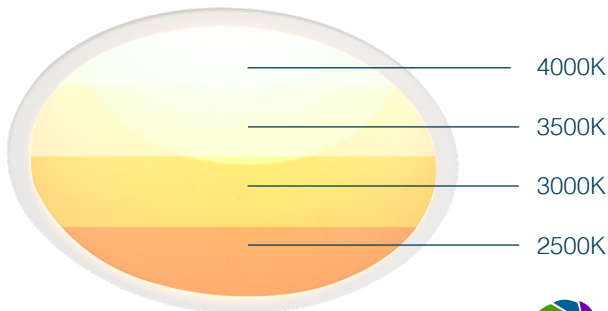
Vulcan R004

4" Narrow Edge Baffle Trim



(R004-15)

Color Performance

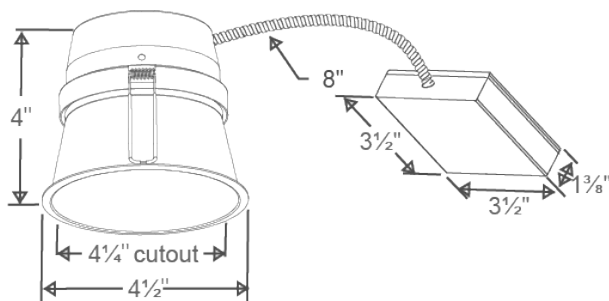


CRI 90+



**4CCT
Field Selectable**

Dimensions



Features

- Selectable 4CCT mode or dim warming mode.
- Low glare baffle trim.
- Integrated steel junction box.
- Powder coated aluminum trim.
- Linear driver for long life span.
- Silicon gasket for wet location applications.
- Low profile suitable for installation in low plenum.
- Suitable for wet locations.

Specifications

Wattage: 15W

Voltage: 120 VAC

Lumen Output: 1100 lm

Colour Temperature: Field Selectable

2500K / 3000K / 3500K /

4000K / Dim warming

CRI: >90%

IP Rating: IP44 Wet Locations

Beam Angle: 110°

Aiming Adjustability: None/Fixed

Rated Life Span: 50,000 hrs

Operation Temp.: -20°C to 50°C

Dimming Types: Triac/ELV Dimmers

IC Rated: Yes

Air Tight: Yes

Safety Listing: cETLus

Warranty: Five year Standard

