

14 Inch / 24 Watt / Dim To Warm Flush Mount Ceiling Light

Builder's Choice



(FA-14-24-DW)

Color Performance

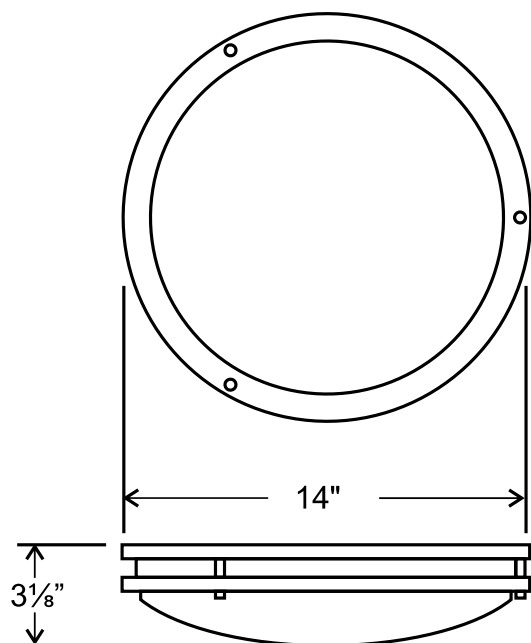


CRI 90+



Dim To Warm

Dimensions



Features

- Integrated LED light source
- Dim-to-warm 4000K to 2500K
- Acrylic diffuser
- Brushed nickel finish accent
- Quick connect push-in terminals
- Dimmable when used with a ELV or a Triac dimmers

Specifications

Wattage: 24W

Voltage: 120 VAC

Lumen Output: 2000lm

Colour Temperature: Dim-to-warm
4000K to 2500K

CRI: >90

IP Rating: IP24 Dry Locations

Beam Angle: 120°

Rated Life Span: 50,000 hrs

Operation Temp.: -20°C to 50°C

Dimming Types: Triac/ELV Dimmers

IC Rated: Yes

Air Tight: Yes

Safety Listing: cETLus

Warranty: 5 year Limited

