



Phecda SDI2

Linear Suspension Direct Indirect

2" Indirect & Direct Line

Specification Sheet



Project Name :
Location :
Quantity :
Date :
Note :

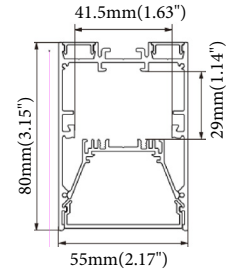
Feature

The minimalist linear design of Line collection offers a contemporary appeal and a pleasant ambient light. It is available in surface mount, Wall mount or suspended versions. The acrylic diffuser, enclosed in an extruded aluminum housing, evenly distributes the light and totally eliminates bright dots. The Line comes in a range of sizes from 4 feet and 8 feet to adapt to various ceiling areas.

Specification

- **CRI:** 90+
- **Beam Angle:** 96°
- **IP Grade:** IP40
- **Efficiency:** 1050~1113lm/ft
- **Up Light:** 1680~1780LM (420~445LM/ft)
- **Down Light:** 2520~2675LM (630~669LM/ft)
- **Dimming Range:** 0-10V / 1~100%
- **Voltage [V]:** AC100-277V / 50~60Hz
- **Operating Temperature:** -20°C ~ +45°C
- **Warranty:** 5 years

Size



Order Information

Example: SDI2-S-4-30K-BK-EMC

Model SDI2	Mounting	Length	CCT	Finish	Options
SDI2 - 2" aperture	S - Suspension W - Wall mount C - Ceiling mount	4 - 4 Feet 8 - 8 feet	30K - 3000K 35K - 3500K 40K - 4000K	BK - Black WH - White	EMC - Emergency Driver

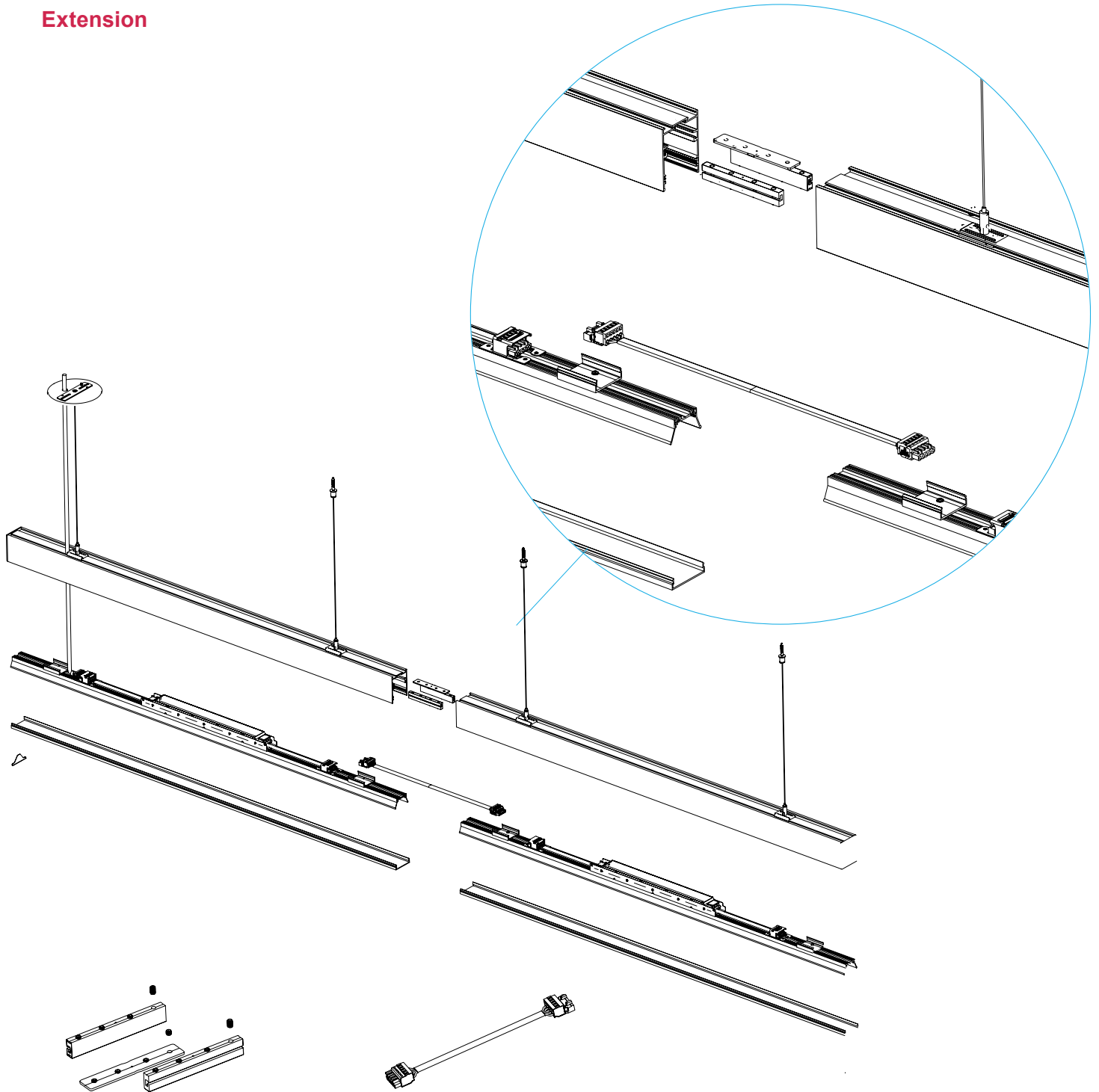
Performance

Size	CCT	Direction	Power[W]	Lumen[lm]
4ft	3000K	Up	17	1676
		Down	27	2524
	3500K	Up	17	1724
		Down	27	2600
	4000K	Up	17	1776
		Down	27	2676

Size	CCT	Direction	Power[W]	Lumen[lm]
8ft	3000K	Up	35	3303
		Down	54	5097
	3500K	Up	35	3404
		Down	54	5251
	4000K	Up	35	3504
		Down	54	5406



Extension



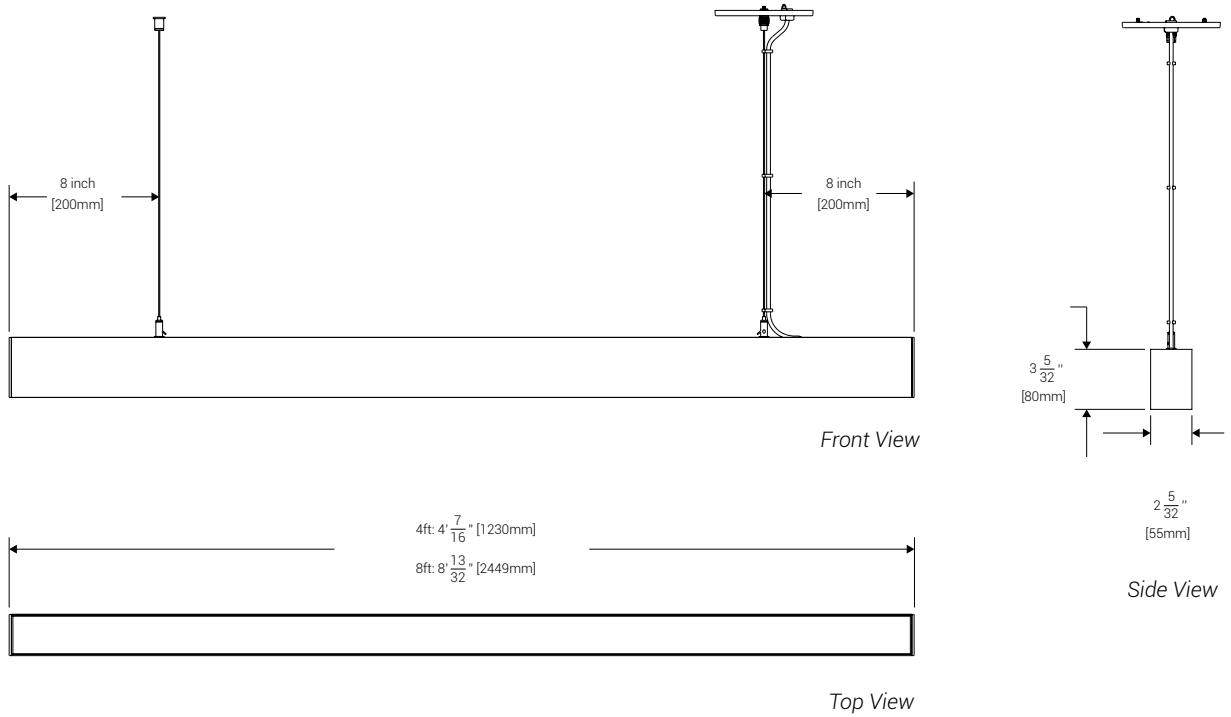
PC-01-180

Extension connector to connect profiles.

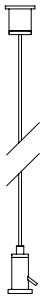
EX-CC-01

Extension connector to connect cables.

Suspension System

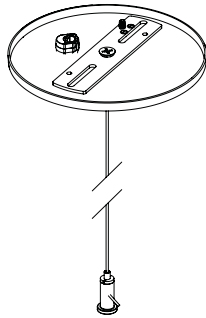


Suspension Accessories



PW-NC-01

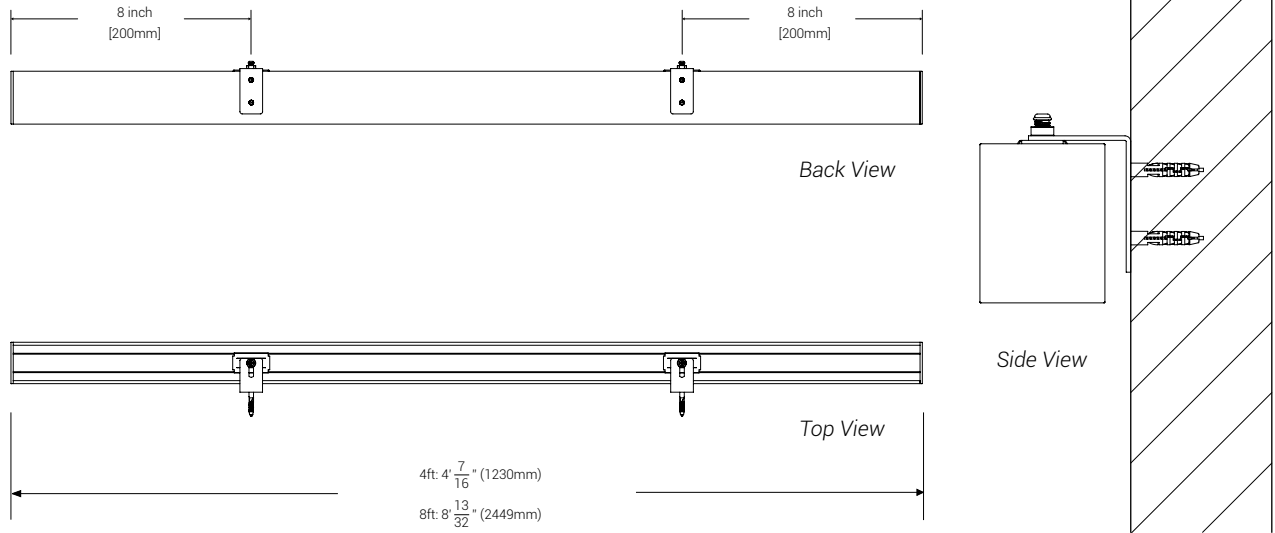
Pendant wire, Non-power side, with clips, 70 inches.



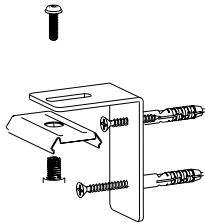
PW-PS-01

Pendant wire, Power side, with clips, canopy. 70 inches.

Wall Mount System



Wall Mount System



WL-CL-01

Wall mounted accessories, with clips to be attached on the fixture.