



Phecda SD3.5

Linear Suspension Direct

3.5" Direct Line | 4ft - 45W | 8ft - 90W

Specification Sheet

Project Name :
Location :
Quantity :
Date :
Note :



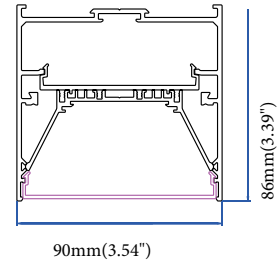
Feature

The minimalist linear design of Line collection offers a contemporary appeal and a pleasant ambient light. It is available in surface mount, Wall mount or suspended versions. The acrylic diffuser, enclosed in an extruded aluminum housing, evenly distributes the light and totally eliminates bright dots. The Line comes in a range of sizes from 4 feet and 8 feet to adapt to various ceiling areas.

Specification

- **CRI:** 90+
- **Beam Angle:** 98°
- **IP Grade:** IP40
- **Efficiency:** 1177-1250m/ft
- **Dimming Range:** 0-10V / 1~100%
- **Voltage [V]:** AC100-277V / 50~60Hz
- **Operating Temperature:** -20°C ~ +45°C
- **Warranty:** 5 years

Size



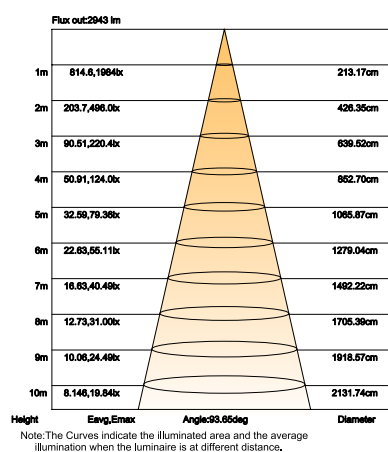
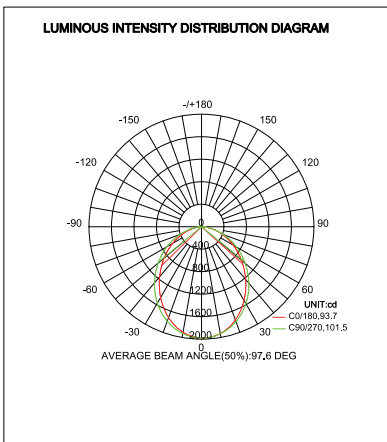
Order Information

Example: SD3.5-S-4-30K-BK-EMC

Model	Mounting	Lenght	CCT	Finish	Options
SD3.5					
SD3.5 - 3.5" aperture	S - Suspension C - Ceiling mount	4 - 4 Feet 8 - 8 feet	30K - 3000K 35K - 3500K 40K - 4000K	BK - Black WH - White	EMC - Emergency Driver

Photometric Data

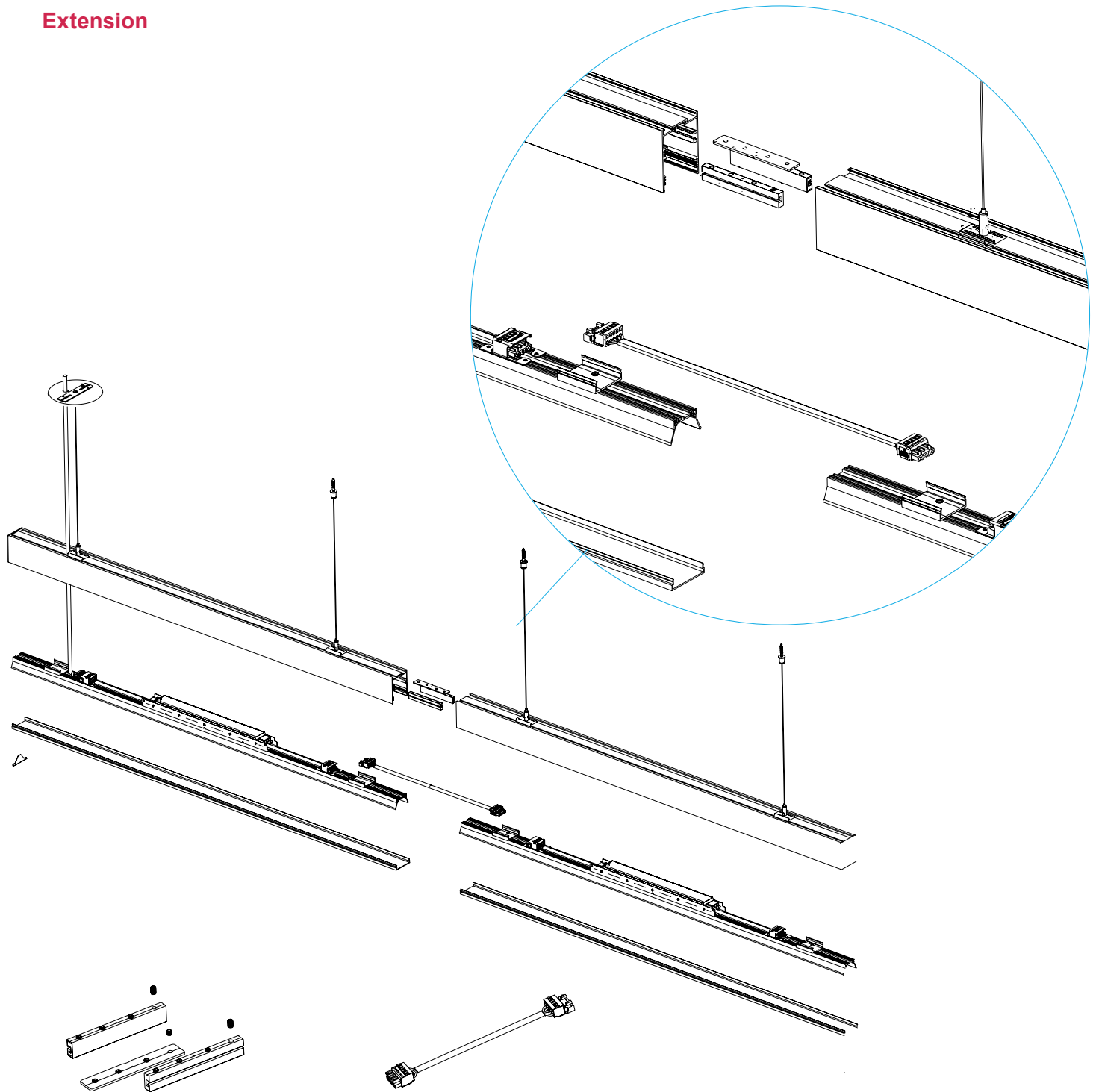
Performance



Size	CCT	Power[W]	Lumen[lm]
4ft	3000K	45	4708
	3500K	45	4854
	4000K	45	5000
8ft	3000K	90	9416
	3500K	90	9708
	4000K	90	10000



Extension



PC-01-180

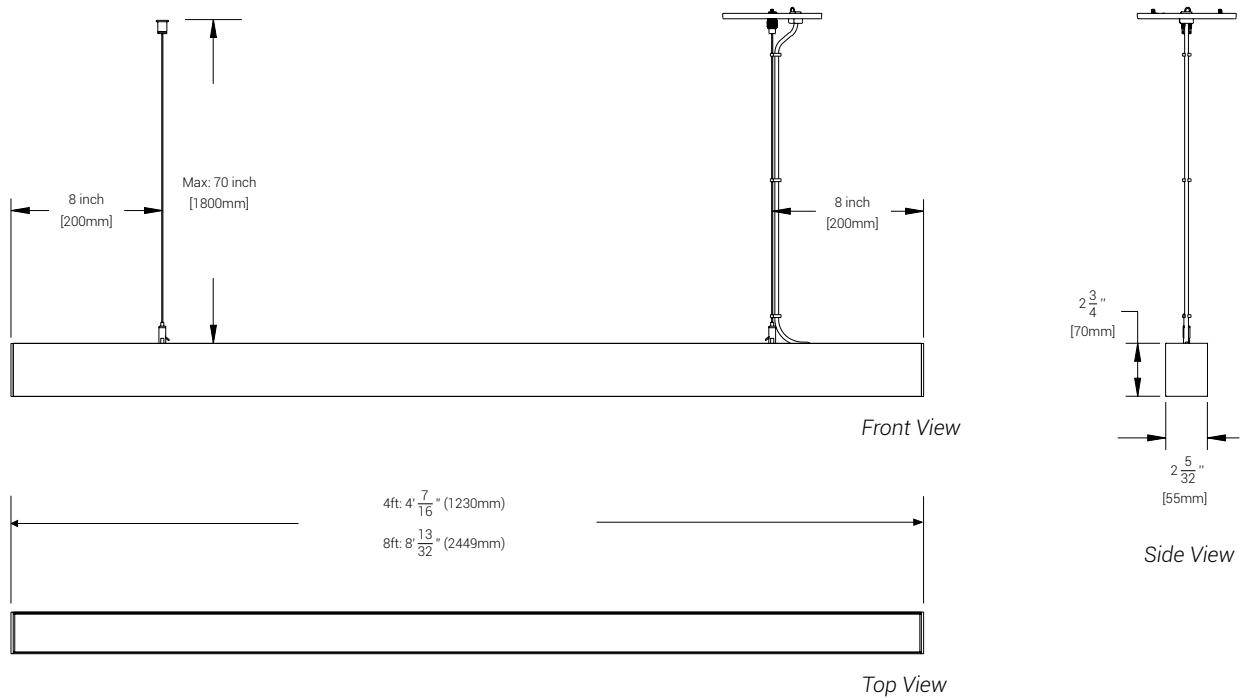
Extension connector to connect profiles.

EX-CC-01

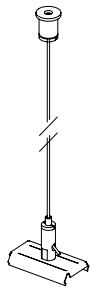
Extension connector to connect cables.

Phecda SD3.5 Linear Suspension Direct

Suspension System

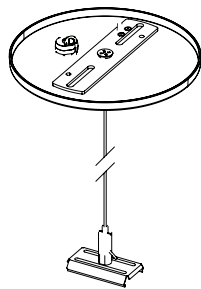


Suspension Accessories



PW-NC-01

Pendant wire,
Non-power side,
with clips, 70 inches.



PW-PC-01

Pendant wire, Power
side, with clips, canopy,
70 inches.