



Phecda SD2

Linear Suspension Direct

2" Direct Line | 4ft - 31W | 8ft - 61W



Project Name :
Location :
Quantity :
Date :
Note :

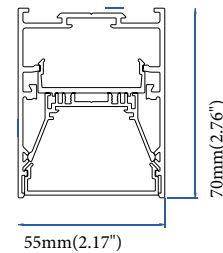
Feature

The minimalist linear design of Line collection offers a contemporary appeal and a pleasant ambient light. It is available in surface mount, Wall mount or suspended versions. The acrylic diffuser, enclosed in an extruded aluminum housing, evenly distributes the light and totally eliminates bright dots. The Line comes in a range of sizes from 4 feet and 8 feet to adapt to various ceiling areas.

Specification

- **CRI:** 90+
- **Beam Angle:** 96°
- **IP Grade:** IP40
- **Efficiency:** 725~775lm/ft
- **Dimming Range:** 0-10V / 1~100%
- **Voltage [V]:** AC100-277V / 50~60Hz
- **Operating Temperature:** -20°C ~ +45°C
- **Warranty:** 5 years

Size

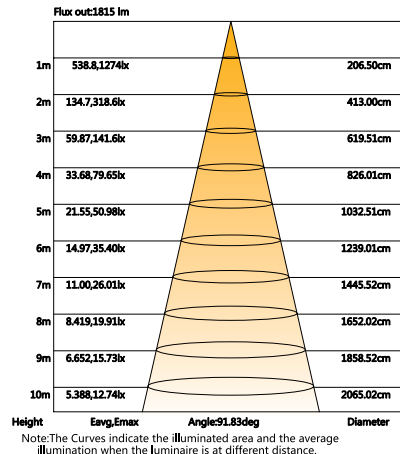
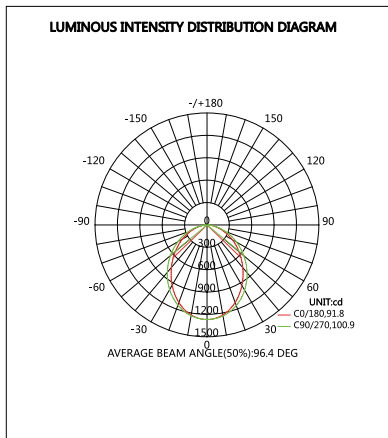


Order Information

Example: SD2-S-4-30K-BK-EMC

Model	Mounting	Lenght	CCT	Finish	Options
SD2					
SD2 - 2" aperture	C - Ceiling mount S - Suspension W - Wall mount	4 - 4 Feet 8 - 8 feet	30K - 3000K 35K - 3500K 40K - 4000K	BK - Black WH - White	EMC - Emergency Driver

Photometric Data

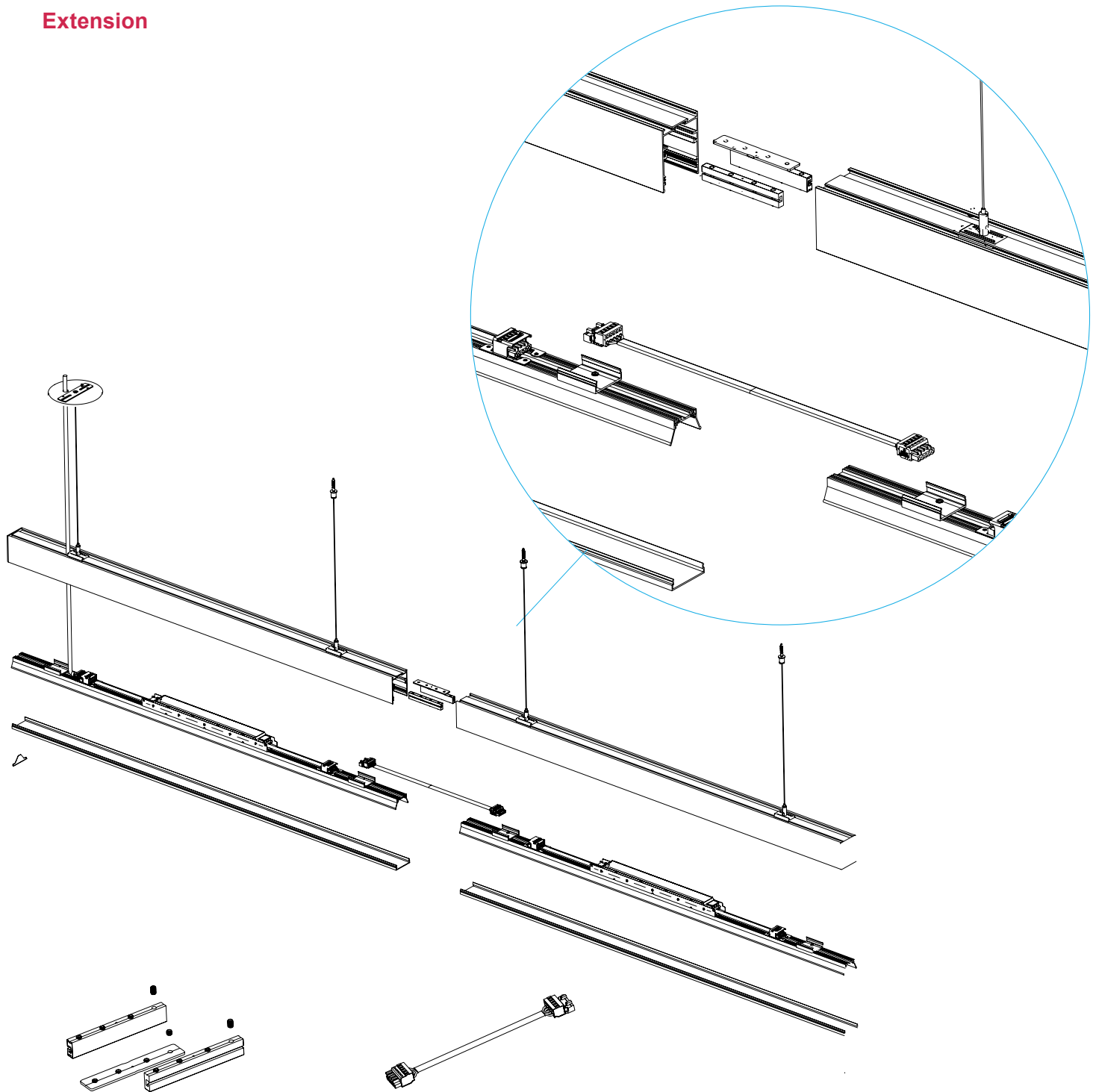


Performance

Size	CCT	Power[W]	Lumen[lm]
4ft	3000K	31	2900
	3500K	31	3000
	4000K	31	3100
8ft	3000K	61	5800
	3500K	61	5978
	4000K	61	6155



Extension



PC-01-180

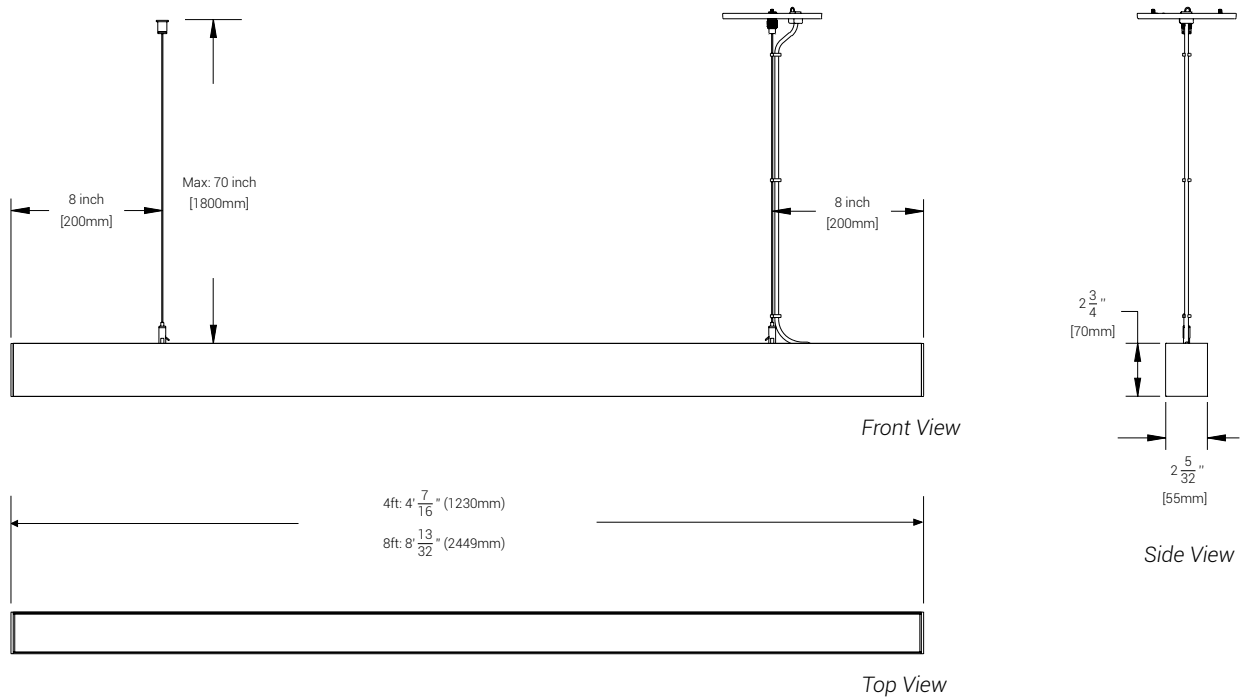
Extension connector to connect profiles.

EX-CC-01

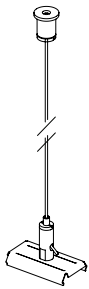
Extension connector to connect cables.

Phecda SD2 Linear Suspension Direct

Suspension System

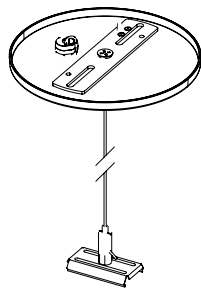


Suspension Accessories



PW-NC-01

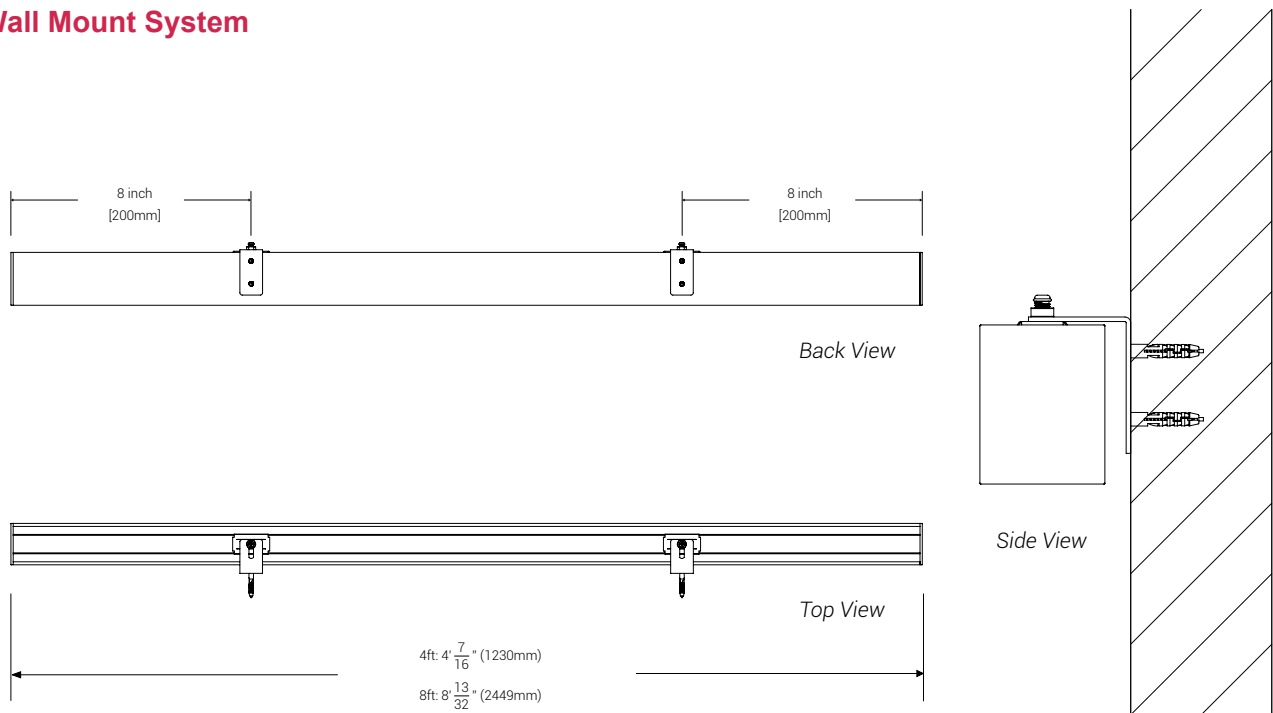
Pendant wire,
Non-power side,
with clips, 70 inches.



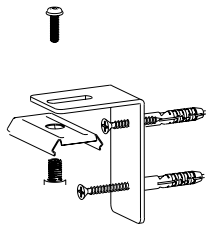
PW-PC-01

Pendant wire, Power
side, with clips, canopy.
70 inches.

Wall Mount System



Wall Mount System



WL-CL-01

Wall mounted accessories, with clips to be attached on the fixture.